



27180 95th Ave  
Suite 3370  
Wilsonville OR 97070  
(503) 570-8689  
(503) 570-88780 fax

[www.proctorsales.com](http://www.proctorsales.com)

# Heat Recovery, Heating Water and PRV Packaged Systems

Providence St. Vincent Medical Center  
5 East Behavioral Unit

## Heat Recovery Skid

- Taco KV6009 Vertical Inline Pump
- Taco CBX425 Expansion Tank
- Taco AC8F Air Control
- J.L. Wingert Pot Feeder

## Heating Water Skid

- (2) Taco FI2009 Base Mounted Pumps
- Taco CBX300 Expansion Tank
- Taco AC6F Air Control
- Taco E12210-S Shell & Tube Heat Exchanger
- Taco KV3006 Vertical Inline Pump

## PRV Station

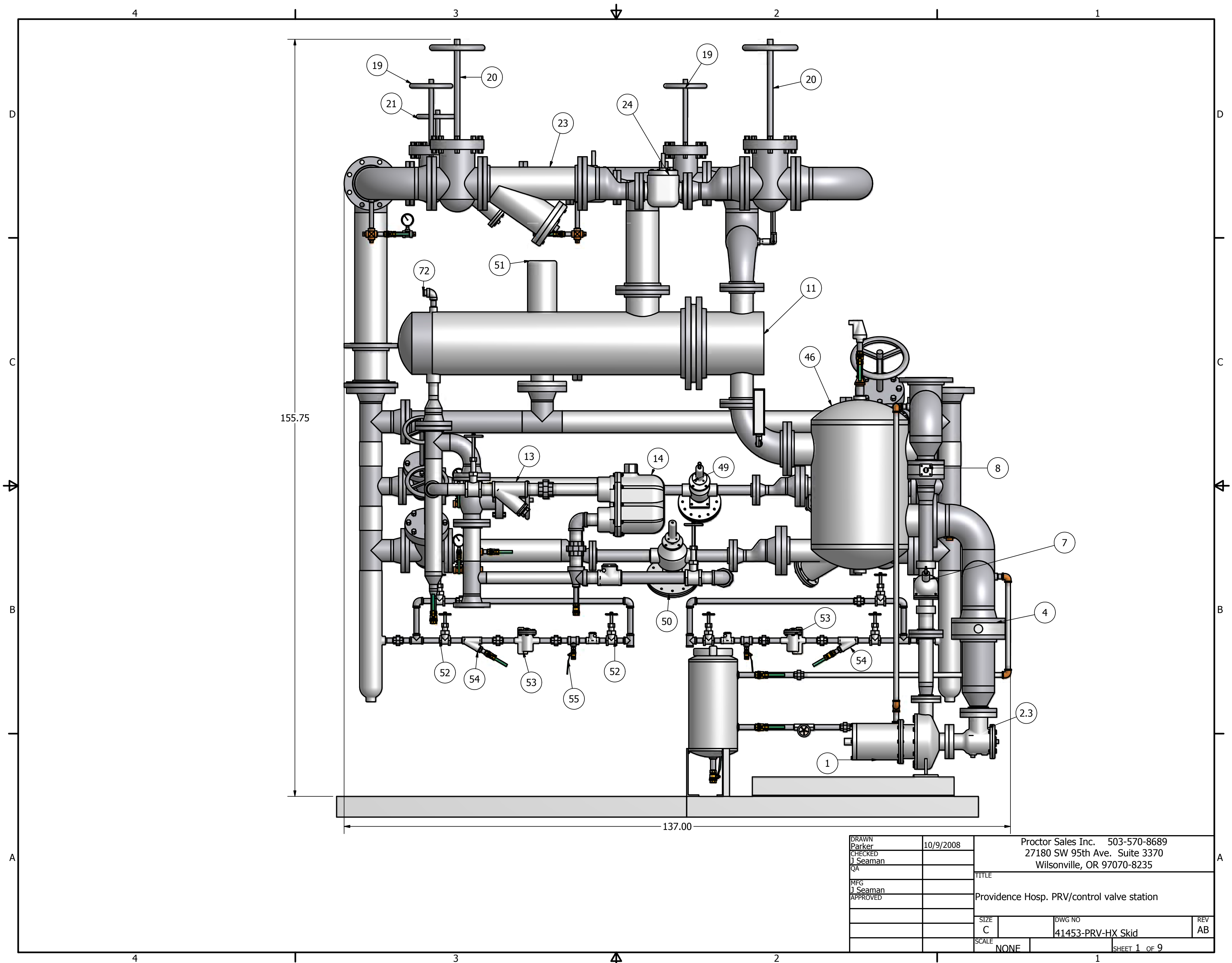
- Armstrong GP-2000 Pressure Reducing Valves
- Armstrong Steam Traps



**Engineer:** GLUMAC

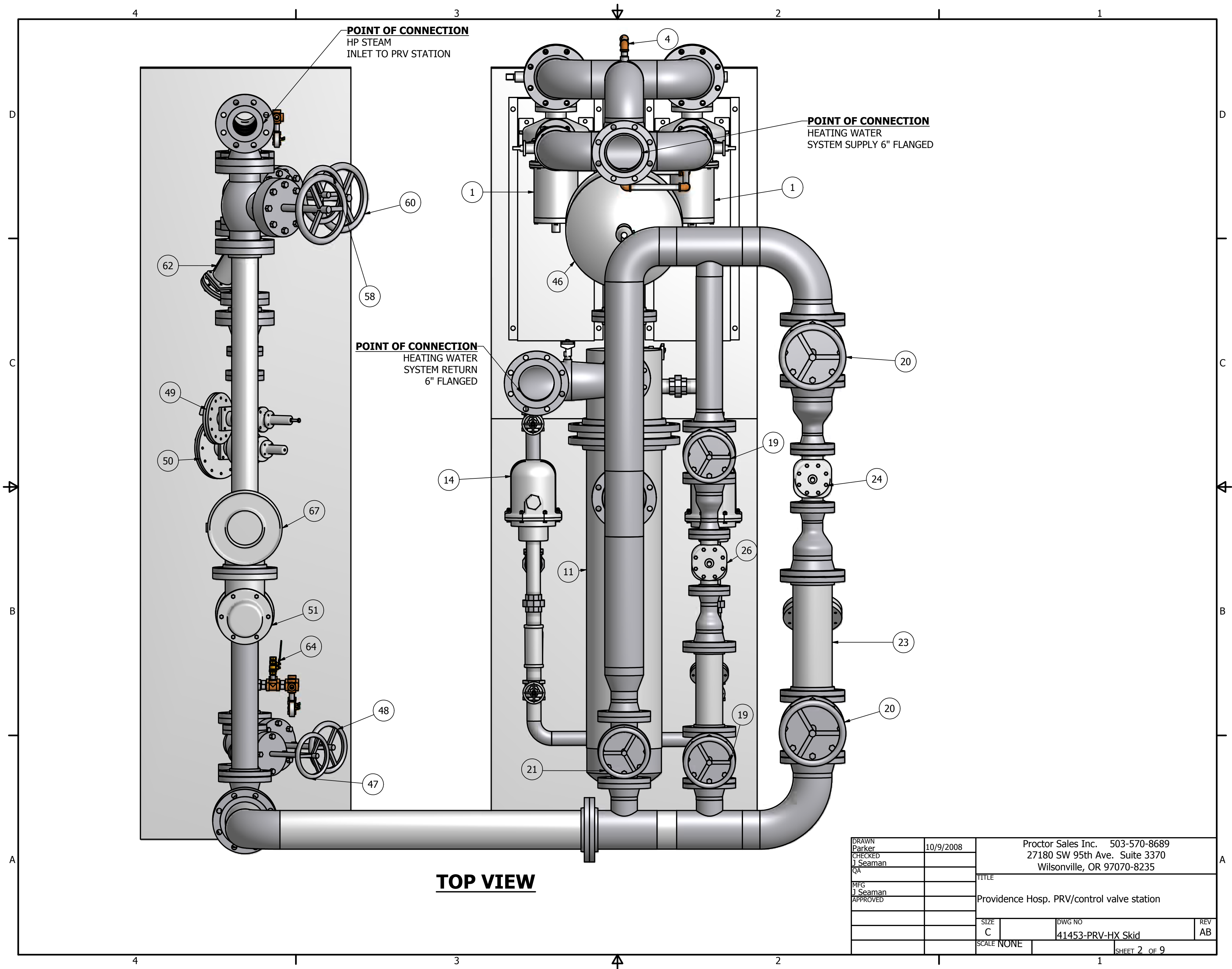
**Contractor:** Portland Mechanical Contractor

This project was originally designed by the engineer as a skidded package. The mechanical room was small and had other extensive remodeling happening at the same time. The skid allowed for quicker turn around on the entire project. It was built in 3 pieces to be able to be put into place through a wall opening. The contractor had used PSI packaged systems before and knew he could enjoy the single point responsibility for this portion of his scope of work.



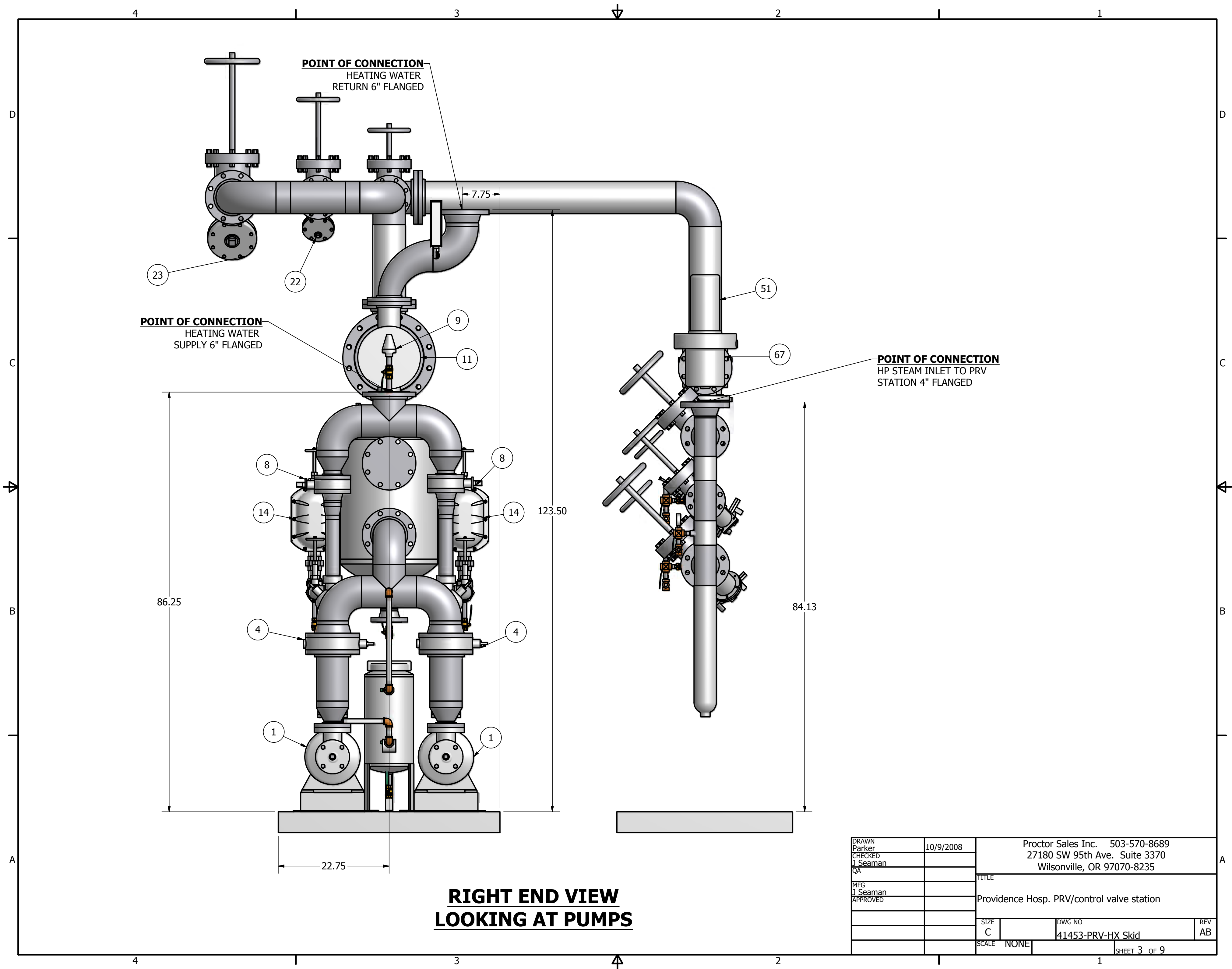
DRAWN Parker	10/9/2008	Proctor Sales Inc. 503-570-8689 27180 SW 95th Ave. Suite 3370 Wilsonville, OR 97070-8235	
CHECKED J Seaman		TITLE	
QA		Providence Hosp. PRV/control valve station	
MFG J Seaman		SIZE C	DWG NO 41453-PRV-HX Skid
APPROVED		SCALE NONE	REV AB
			SHEET 1 OF 9





**TOP VIEW**

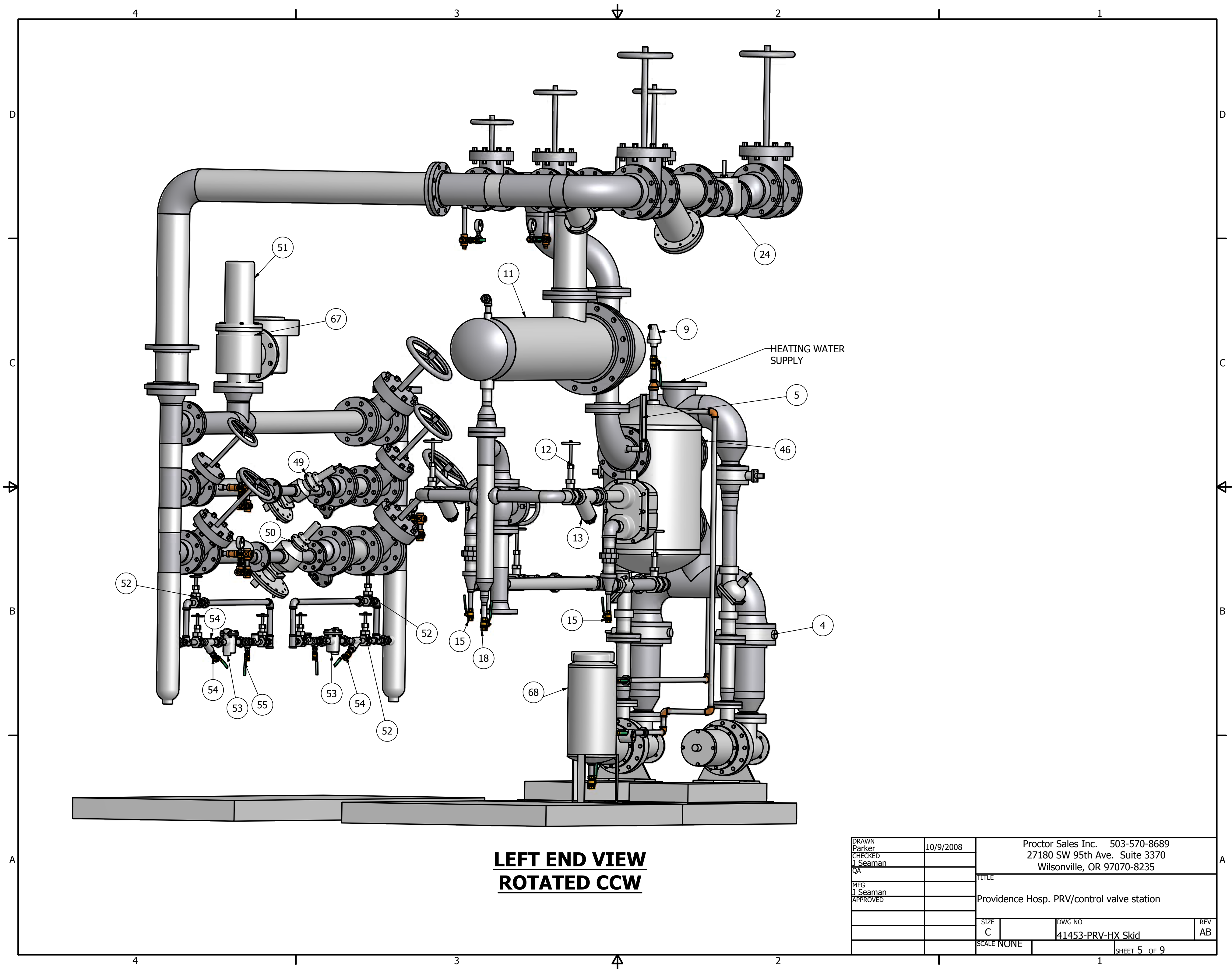
DRAWN Parker	10/9/2008	Proctor Sales Inc. 503-570-8689 27180 SW 95th Ave. Suite 3370 Wilsonville, OR 97070-8235	
CHECKED J Seaman		TITLE	
QA		Providence Hosp. PRV/control valve station	
MFG J Seaman		SIZE C	REV AB
APPROVED		DWG NO 41453-PRV-HX Skid	
		SCALE NONE	SHEET 2 OF 9



**RIGHT END VIEW  
LOOKING AT PUMPS**

DRAWN Parker	10/9/2008	Proctor Sales Inc. 503-570-8689 27180 SW 95th Ave. Suite 3370 Wilsonville, OR 97070-8235	
CHECKED J Seaman		TITLE	
QA		Providence Hosp. PRV/control valve station	
MFG J Seaman		SIZE C	REV AB
APPROVED		DWG NO 41453-PRV-HX Skid	
		SCALE NONE	SHEET 3 OF 9





**LEFT END VIEW  
ROTATED CCW**

DRAWN Parker	10/9/2008	Proctor Sales Inc. 503-570-8689 27180 SW 95th Ave. Suite 3370 Wilsonville, OR 97070-8235	
CHECKED J Seaman		TITLE	
QA		Providence Hosp. PRV/control valve station	
MFG J Seaman		SIZE C	REV AB
APPROVED		DWG NO 41453-PRV-HX Skid	
		SCALE NONE	SHEET 5 OF 9